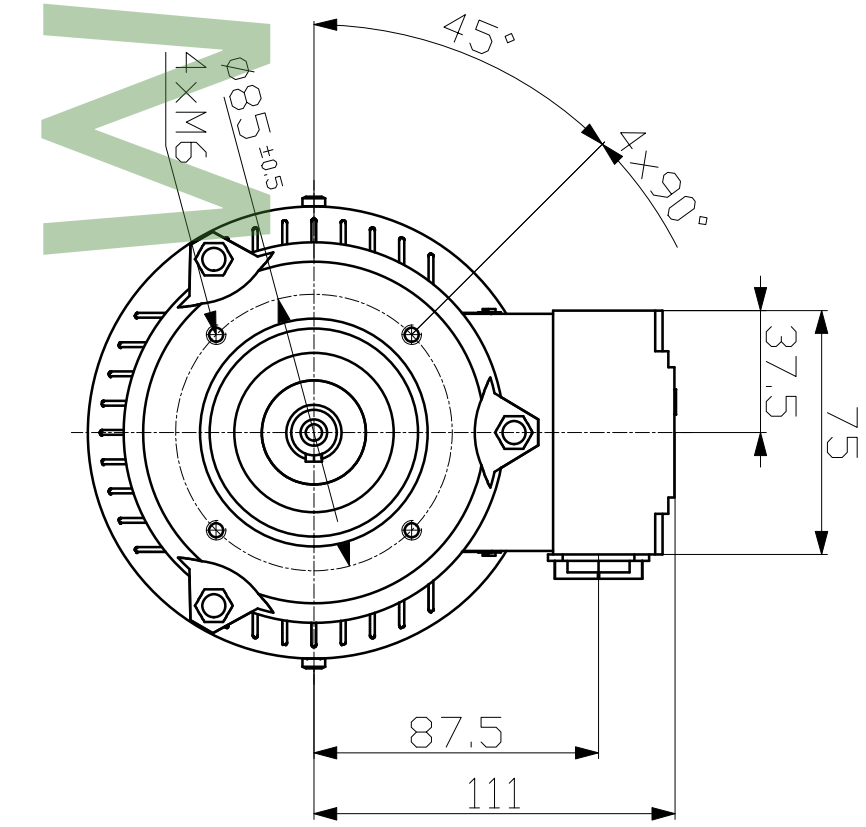


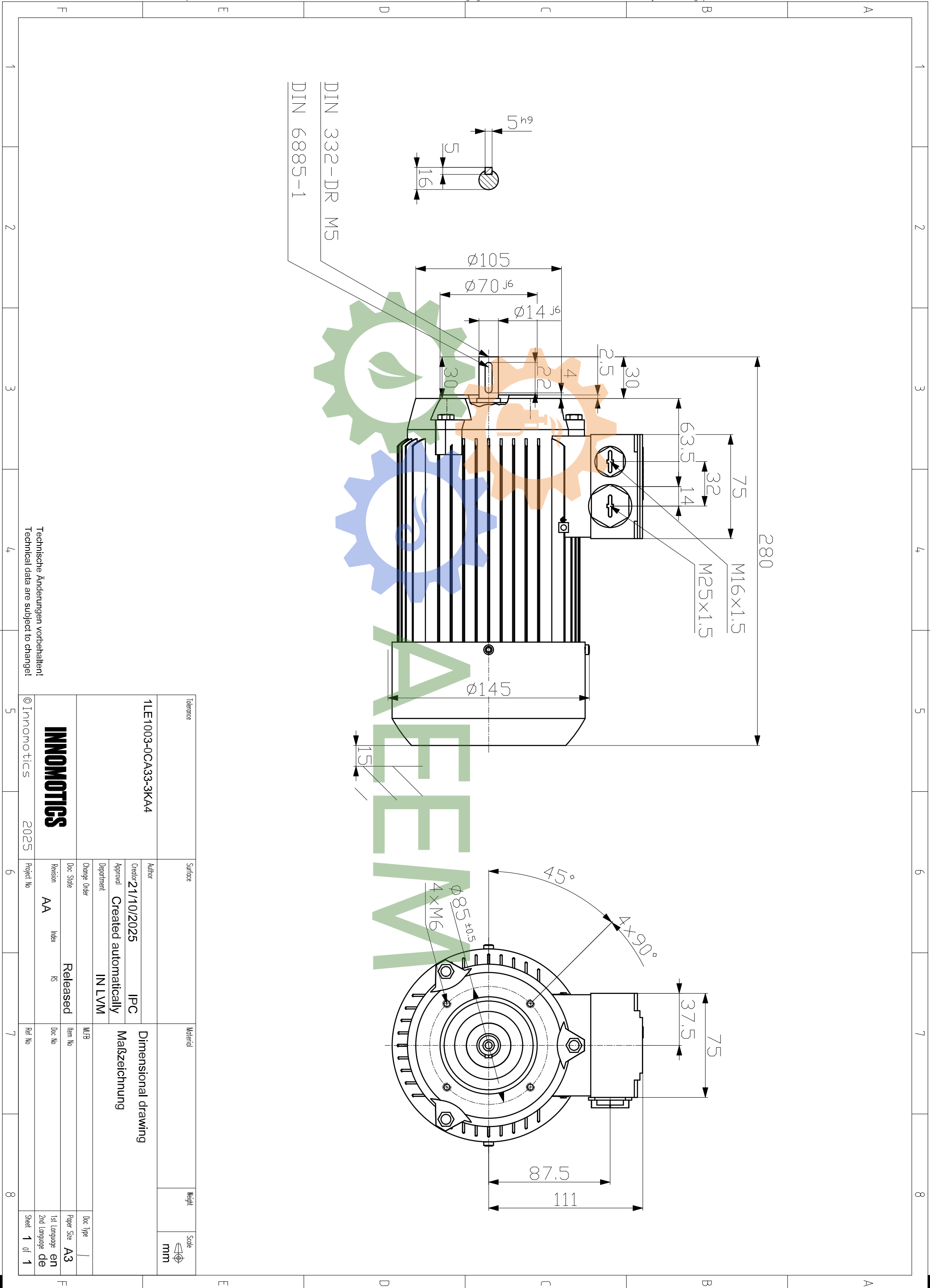
DIN 332-DR M5  
 DIN 6885-1



15

|                    |                       |                                     |              |
|--------------------|-----------------------|-------------------------------------|--------------|
| Tolerance          | Surface               | Material                            | Scale        |
| 1LE1003-0CA33-3KA4 | Author<br>21/10/2025  | Dimensional drawing<br>Maßzeichnung | mm           |
| IPC                | Created automatically | Released                            |              |
| IN LVM             | Department            | Index                               |              |
| Change Order       | Doc State             | Item No                             | Paper Size   |
|                    | Revision              | Doc No                              | 1st Language |
|                    | AA                    | Ref No                              | 2nd Language |
|                    | Project No            |                                     | Sheet 1 of 1 |

Technische Änderungen vorbehalten!  
 Technical data are subject to change!



Restricted