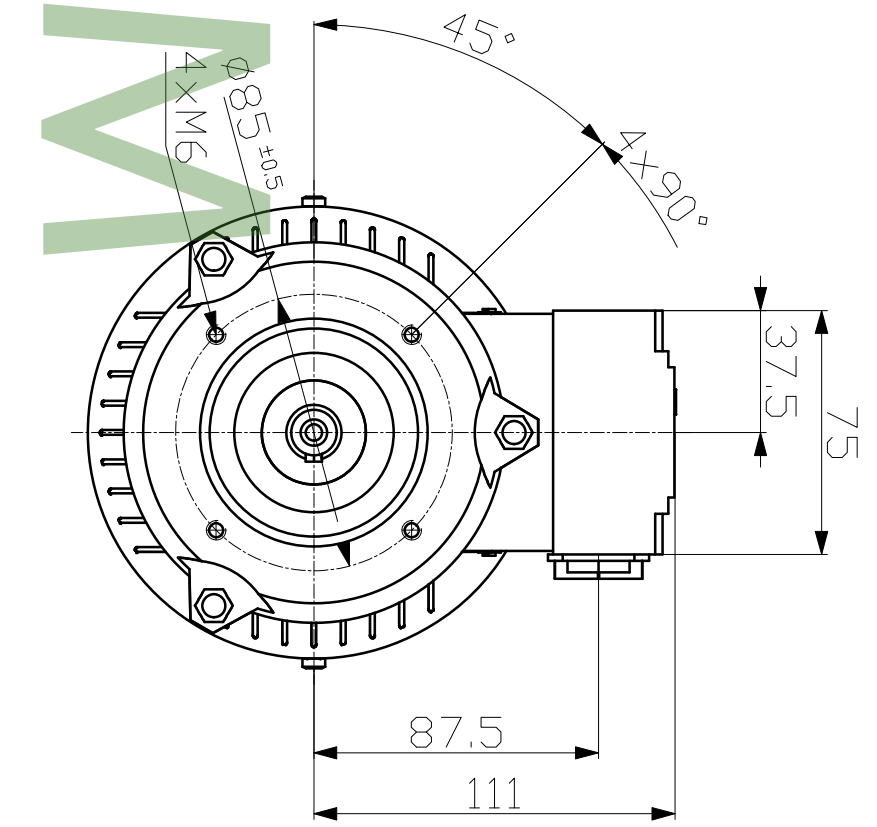


DIN 332-DR M5
 DIN 6885-1



Tolerance		Surface		Material		Weight		Scale	
1LE1003-0CB32-1KA4		Author		Dimensional drawing				mm	
		Creator 18/09/2025		IPC					
		Approval Created automatically		Maßzeichnung					
		Department IN LVM							
		Change Order							
		Doc State		Released		Item No		Paper Size A3	
		Revision AA		Index RS		Doc No		1st Language en	
		Project No		Ref No		Sheet 1 of 1		2nd Language de	

Technische Änderungen vorbehalten!
 Technical data are subject to change!

@Innomotics 2025

Project No

Released

Ref No

Sheet 1 of 1

1 2 3 4 5 6 7 8

A B C D E F

1 2 3 4 5 6 7 8

A B C D E F

Restricted