

Tolerance		Surface		Material		Weight		Scale	
1LE1003-0CC32-1FA4		16/09/2025		Dimensional drawing				mm	
Author		IPC		Maßzeichnung					
Created 16/09/2025		Created automatically							
Approval		IN LVM							
Department		IN LVM							
Change Order									
Doc State		Released							
Revision		AA							
Index		RS							
Paper Size		A3							
1st Language		en							
2nd Language		de							
Sheet		1 of 1							
Project No		2025							
© Innometrics									

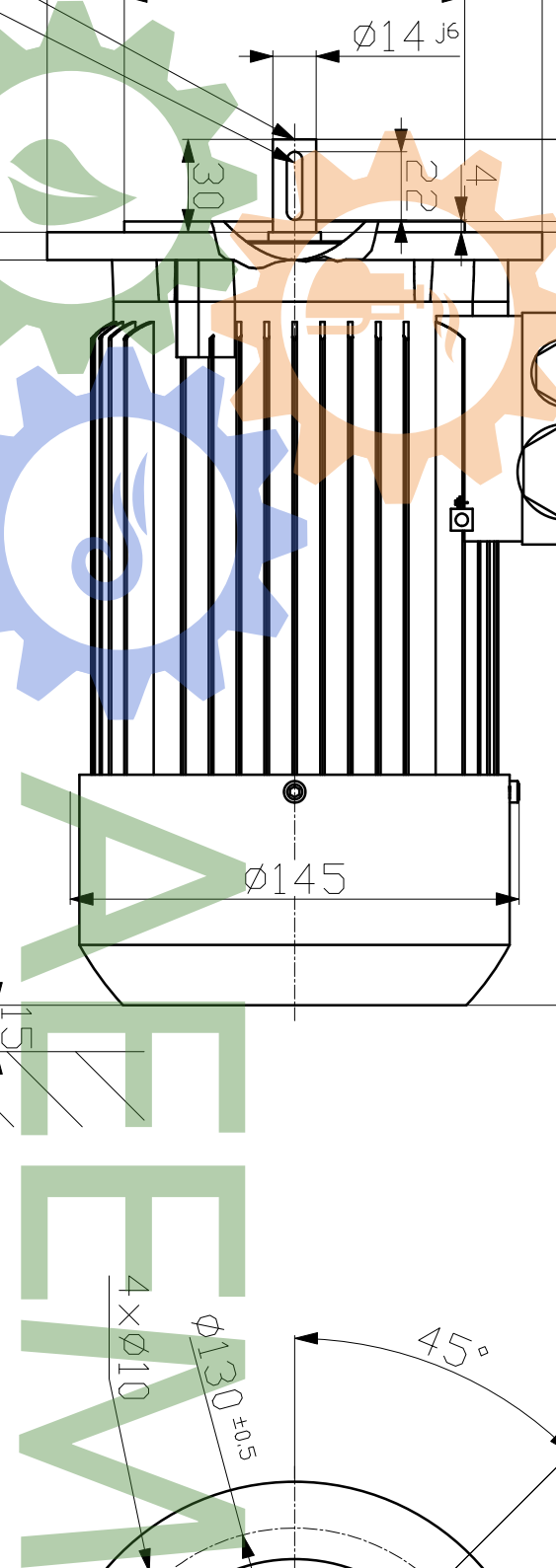
Technische Änderungen vorbehalten!
Technical data are subject to change!

1 2 3 4 5 6 7 8

1 2 3 4 5 6 7 8

F E D C B A

F E D C B A



A

V

5

A

F

A

6

6

E

E

4

4

D

D

2

2

C

C

F

F

B

B