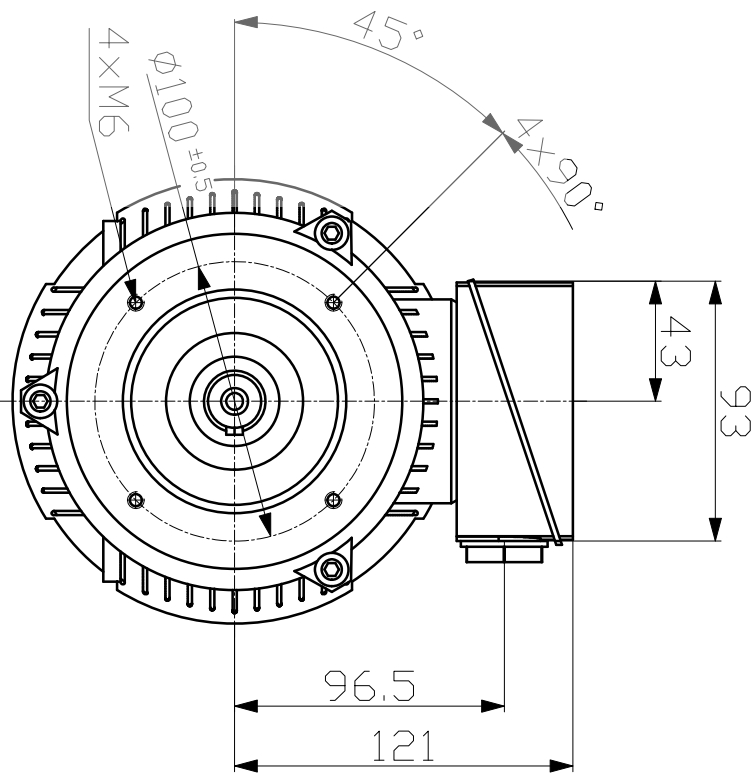
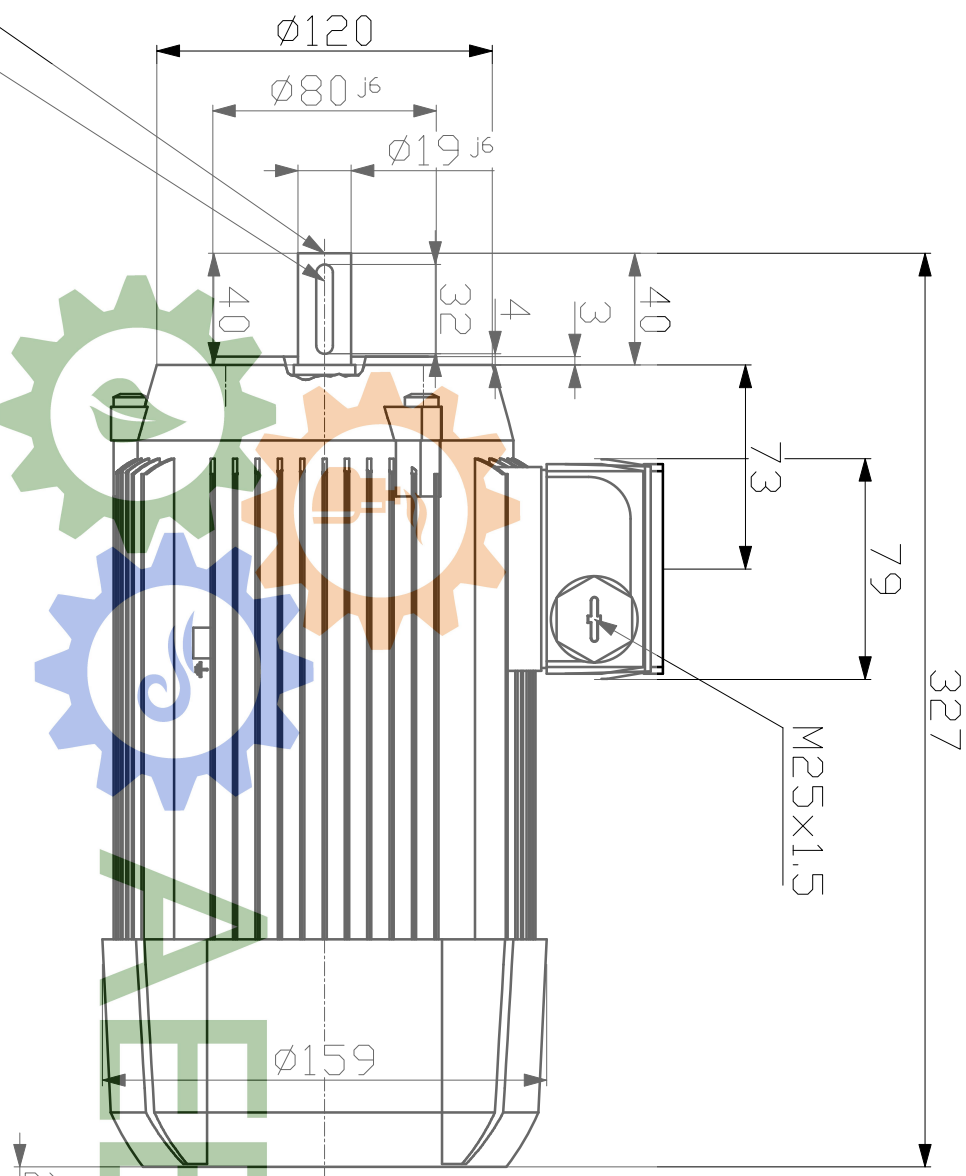
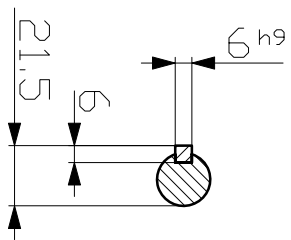


DIN 332-DR M6  
 DIN 6885-1



Tolerance		Surface		Material		Weight		Scale	
1LE1003-0DA33-4KA4		1LE1003-0DA33-4KA4		Dimensional drawing Maßzeichnungung				mm	
Author		IPC		Dimensional drawing Maßzeichnungung					
Creator 13/01/2026		Created automatically							
Approval		IN LVM							
Department									
Change Order									
Doc State		Released							
Revision		AA							
Index		RS							
Paper Size		A3							
1st Language		en							
2nd Language		de							
Sheet		1 of 1							

Technische Änderungen vorbehalten!  
 Technical data are subject to change!

@Innomotics 2025

Project No

Released

Doc No

Doc Type

1 2 3 4 5 6 7 8

A B C D E F

Restricted