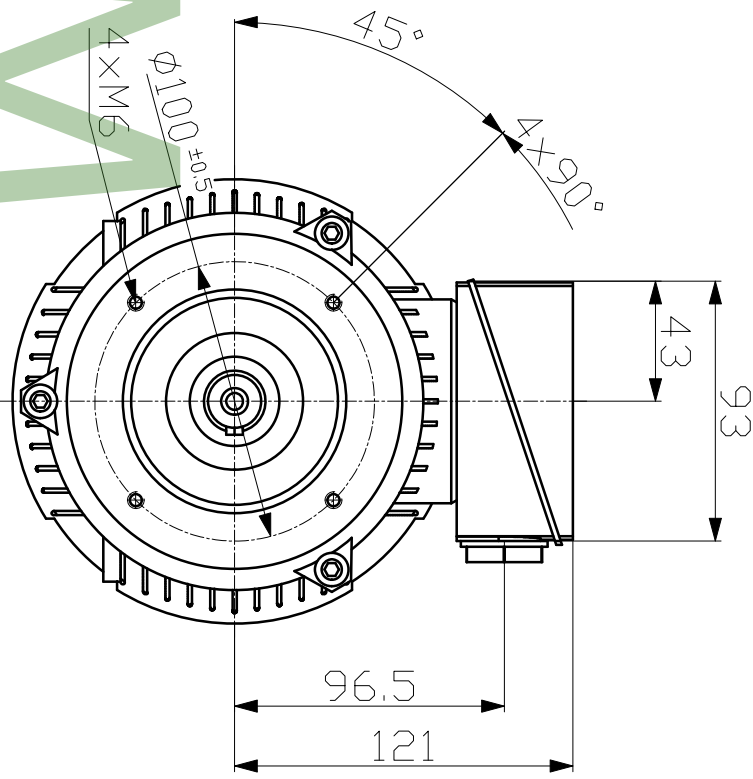
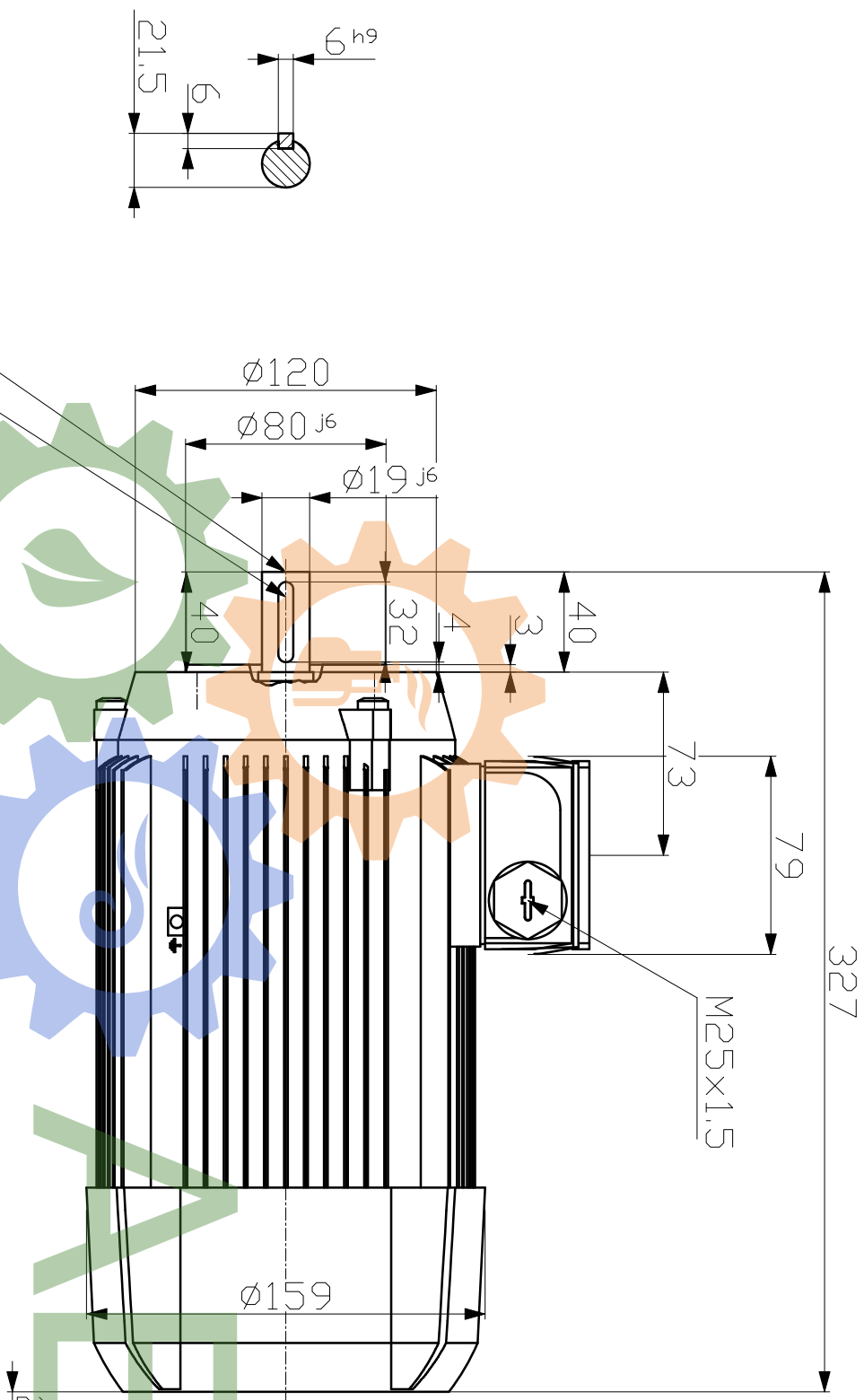


DIN 332-DR M6
 DIN 6885-1



Tolerance	Surface	Material	Scale
1LE1003-0DB32-1KA4	Author Creator 18/09/2025 Approval Created automatically Department IN LVM Change Order Doc State Revision AA Index RS	Dimensional drawing Maßzeichnung	mm
INNOMOTICS	IPC	Released	Paper Size A3
@Innomotics 2025	Project No	Doc No	1st Language en
		Ref No	2nd Language de
			Sheet 1 of 1

Technische Änderungen vorbehalten!
 Technical data are subject to change!

