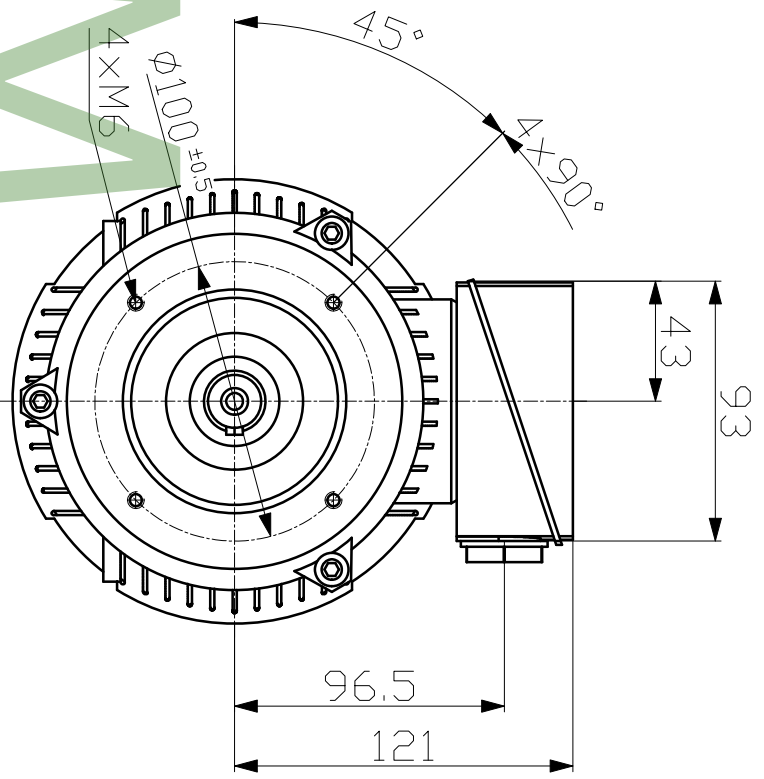
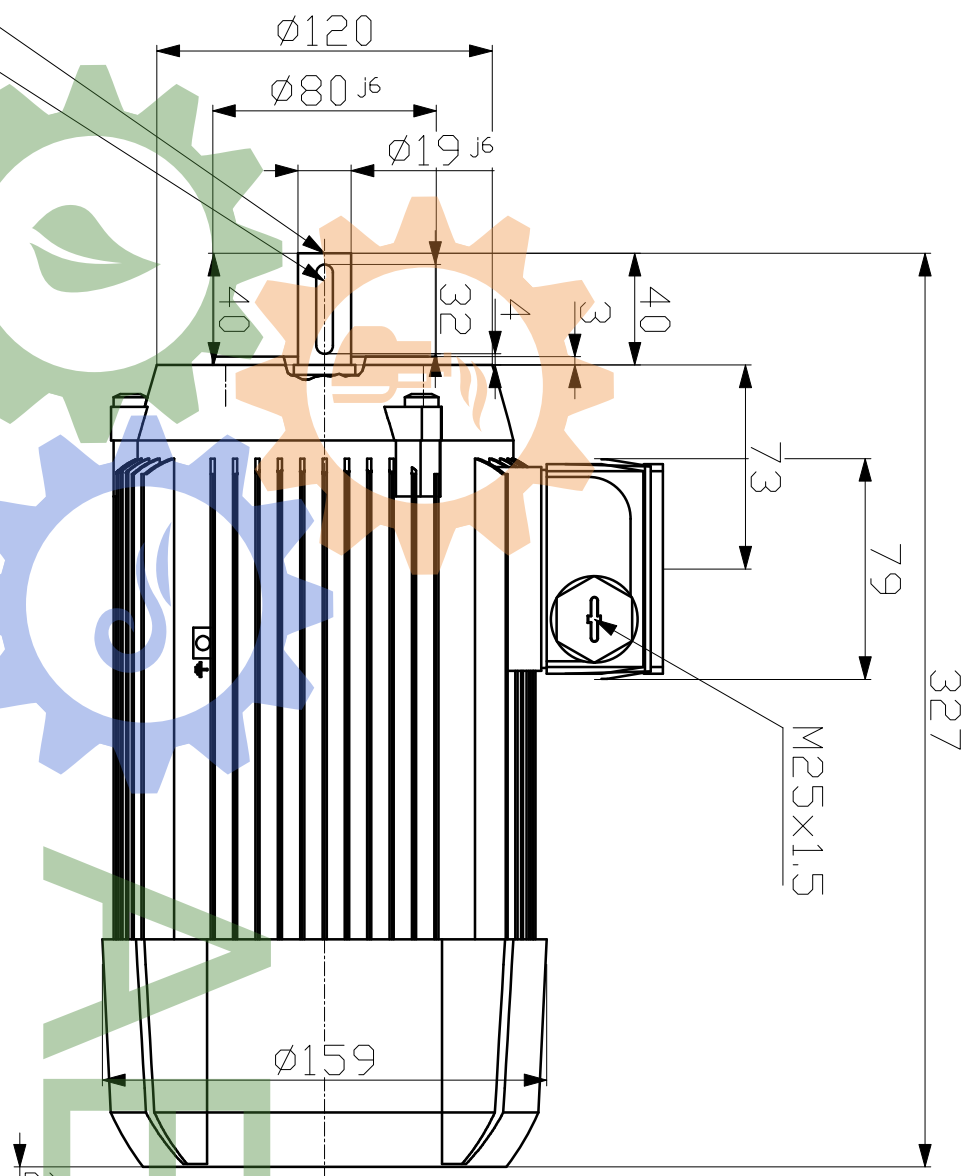
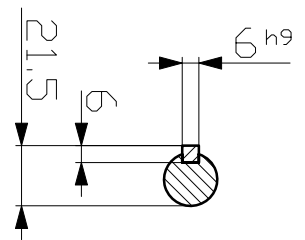


DIN 332-DR M6  
DIN 6885-1



|                    |  |                                |  |                     |  |         |  |                 |  |
|--------------------|--|--------------------------------|--|---------------------|--|---------|--|-----------------|--|
| Tolerance          |  | Surface                        |  | Material            |  | Weight  |  | Scale           |  |
| 1LE1003-0DC32-1KA4 |  | Author                         |  | Dimensional drawing |  |         |  | mm              |  |
|                    |  | Creator 19/09/2025             |  | IPC                 |  |         |  |                 |  |
|                    |  | Approval Created automatically |  | Maßzeichnung        |  |         |  |                 |  |
|                    |  | Department IN LVM              |  |                     |  |         |  |                 |  |
|                    |  | Change Order                   |  |                     |  |         |  |                 |  |
|                    |  | Doc State                      |  | Released            |  | Item No |  | Paper Size A3   |  |
|                    |  | Revision AA                    |  | Index RS            |  | Doc No  |  | 1st Language en |  |
|                    |  | Project No                     |  | Ref No              |  |         |  | 2nd Language de |  |
|                    |  | 2025                           |  |                     |  |         |  | Sheet 1 of 1    |  |

Technische Änderungen vorbehalten!  
Technical data are subject to change!

