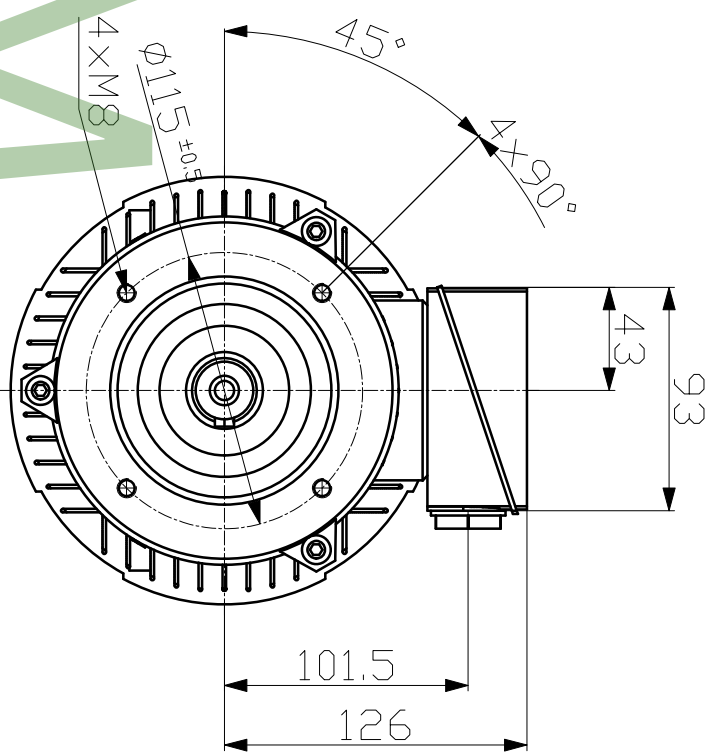
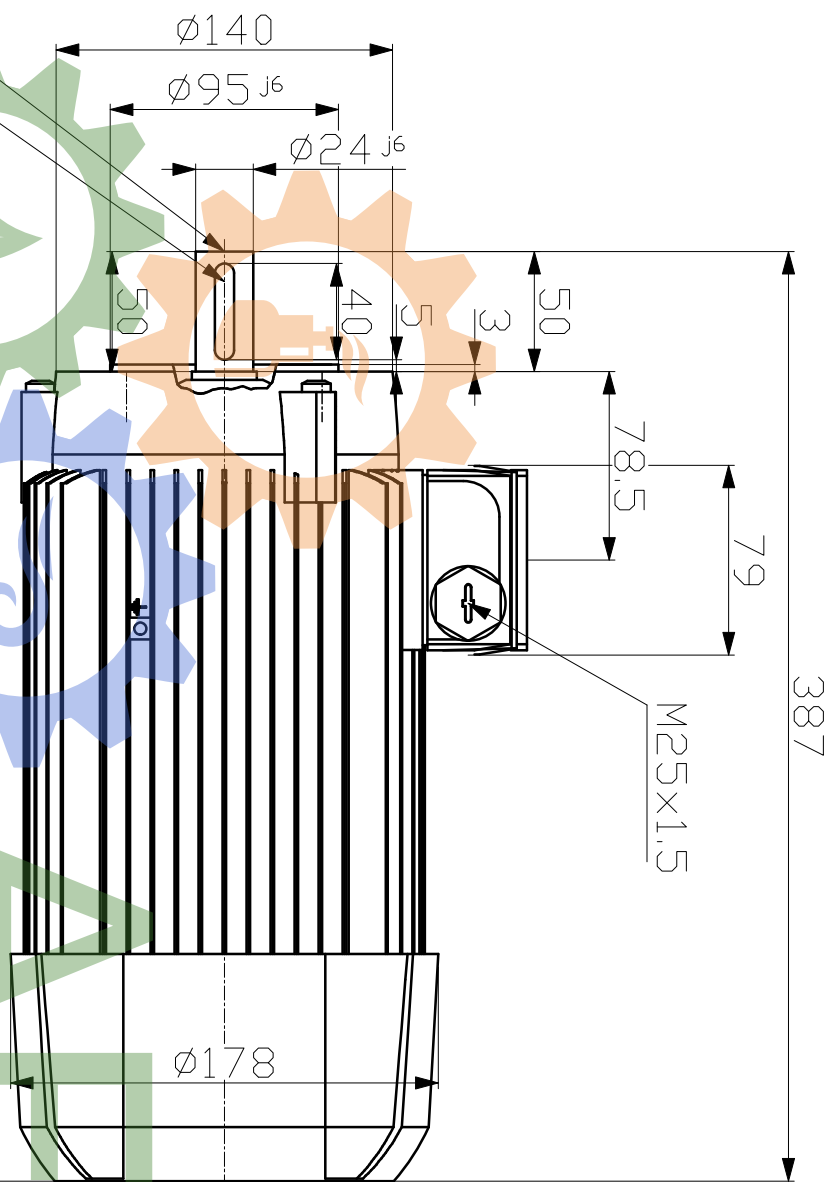
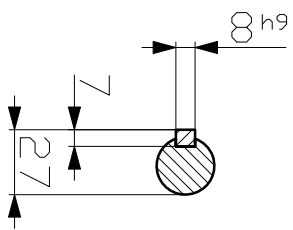


DIN 332-DR M8
 DIN 6885-1



Tolerance		Surface		Material		Weight		Scale	
1LE1003-0EA42-1KA4		Author		Dimensional drawing				mm	
		Created 21/10/2025		Maßzeichnung					
		Approval Created automatically							
		Department IN LVM							
		Change Order							
		Doc State		Released					
		Revision AA		Index RS					
		Project No		Ref No					
© Innomatics 2025		IPC		Paper Size A3					
		Created automatically		1st Language en					
		IN LVM		2nd Language de					
				Sheet 1 of 1					

Technische Änderungen vorbehalten!
 Technical data are subject to change!

