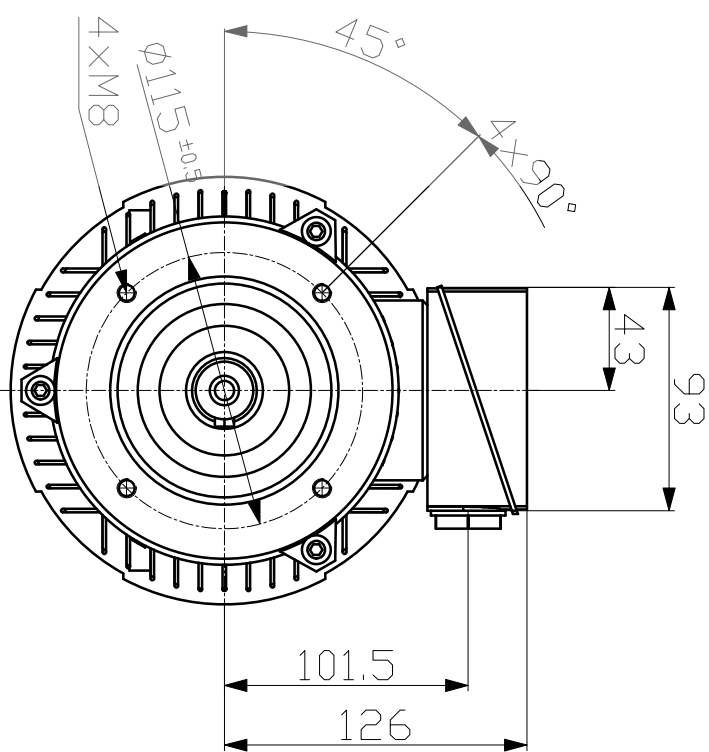
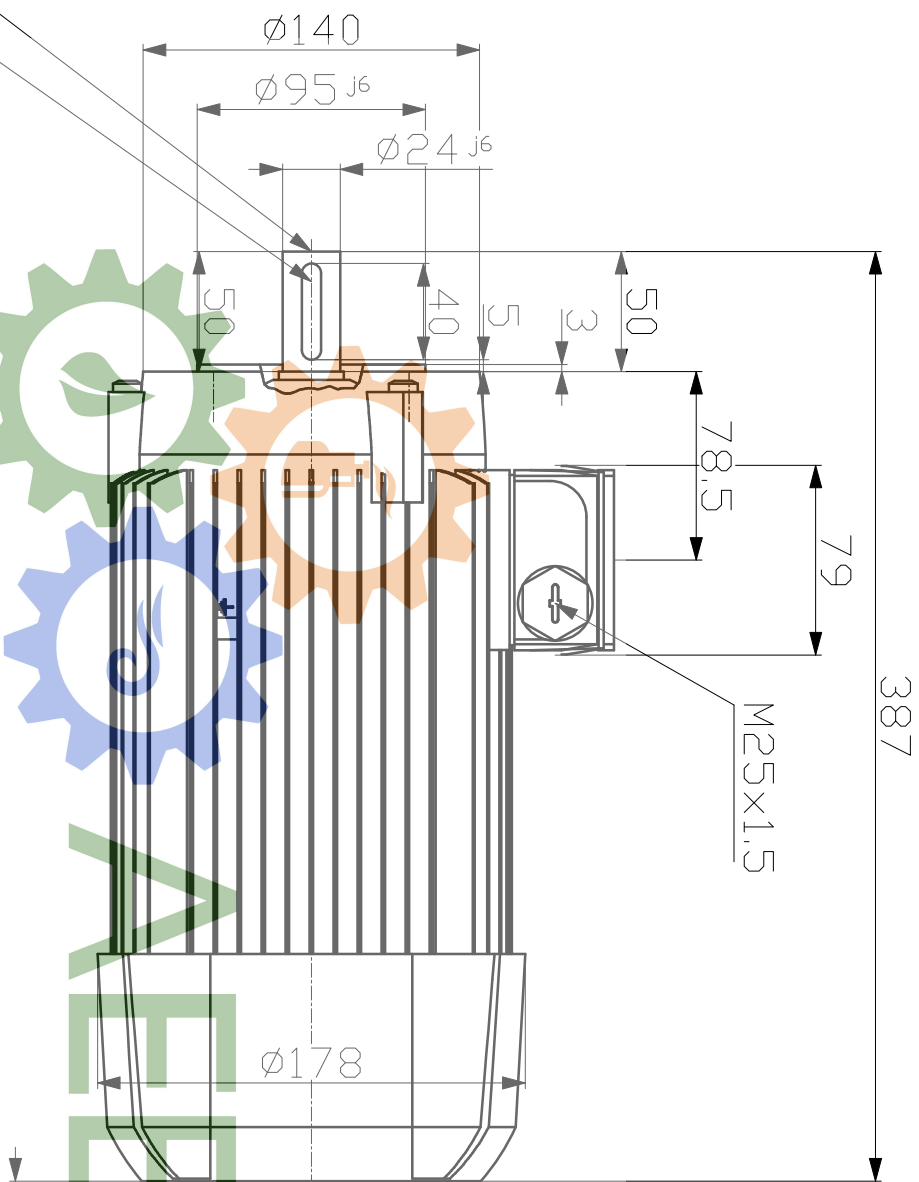
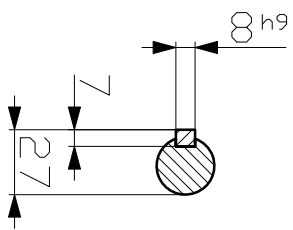


DIN 332-DR M8
 DIN 6885-1



Tolerance	Surface	Material	Weight	Scale
1LE1003-0EB43-4KA4	Author Creator 12/01/2026 Approval Created automatically Department IN LVM Change Order Doc State Revision AA Project No	Dimensional drawing Maßzeichnung		mm
INNOMOTICS	IPC Created automatically IN LVM Released Index RS Ref No	Item No Doc No Paper Size A3 1st Language en 2nd Language de		1 of 1
@Innomotics 2025				

Technische Änderungen vorbehalten!
 Technical data are subject to change!

