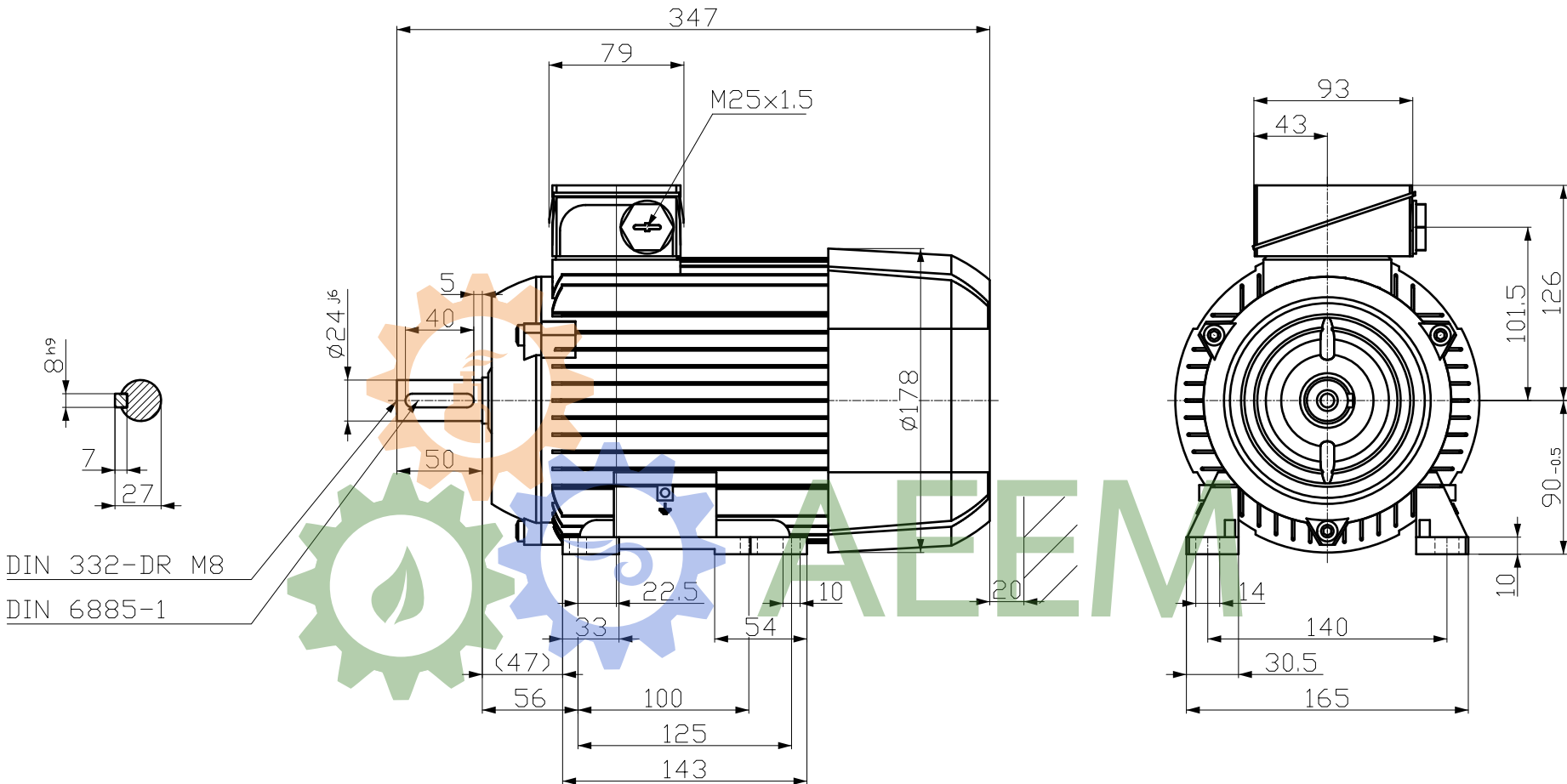


刀线  
用  
所  
文  
金  
图  
形  
按

01  
02  
03  
04  
05  
06  
07  
08  
09  
10  
11  
12  
13  
14  
15  
16  
17  
18  
19  
20  
21  
22  
23  
24  
25  
26  
27  
28  
29  
30  
31  
32  
33  
34  
35  
36  
37  
38  
39  
40  
41  
42  
43  
44  
45  
46  
47  
48  
49  
50  
51  
52  
53  
54  
55  
56  
57  
58  
59  
60  
61  
62  
63  
64  
65  
66  
67  
68  
69  
70  
71  
72  
73  
74  
75  
76  
77  
78  
79  
80  
81  
82  
83  
84  
85  
86  
87  
88  
89  
90  
91  
92  
93  
94  
95  
96  
97  
98  
99  
100



Tolerance	Surface	Material	Weight	Scale
F50	Author	Material	E	1:1
E	Creator	Item No		
	Approval	Doc No		
	Department	Ref No		
	Change Order	Doc Type		
	Doc State	Paper Size		
	Revision	1st Language		
	Index	2nd Language		
	Project No	Sheet		

INNOMOTICS

V&@ a&@A) aV) \*^A) A[ i&@e@) A  
V&@ B&@a&@e@ A\* ab&@A &@e@ \*\*^A