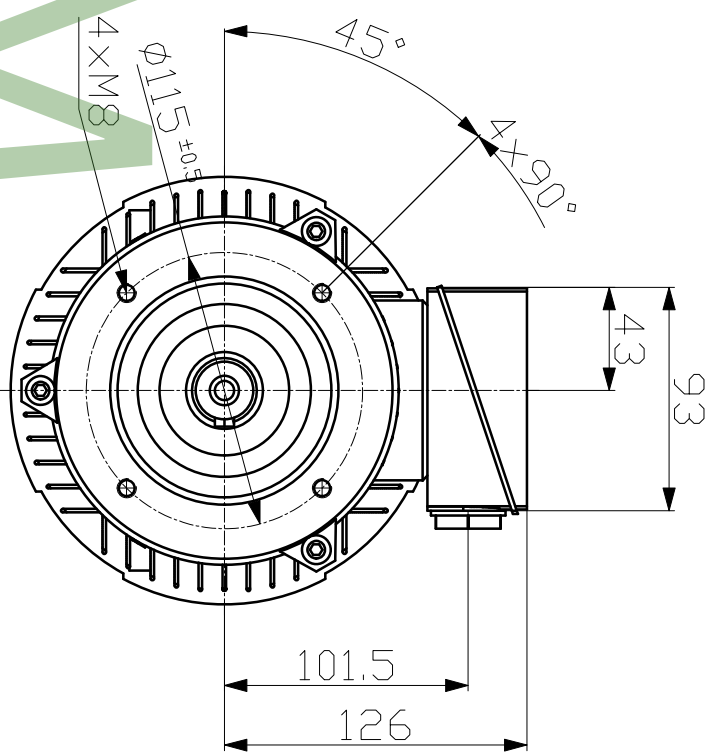
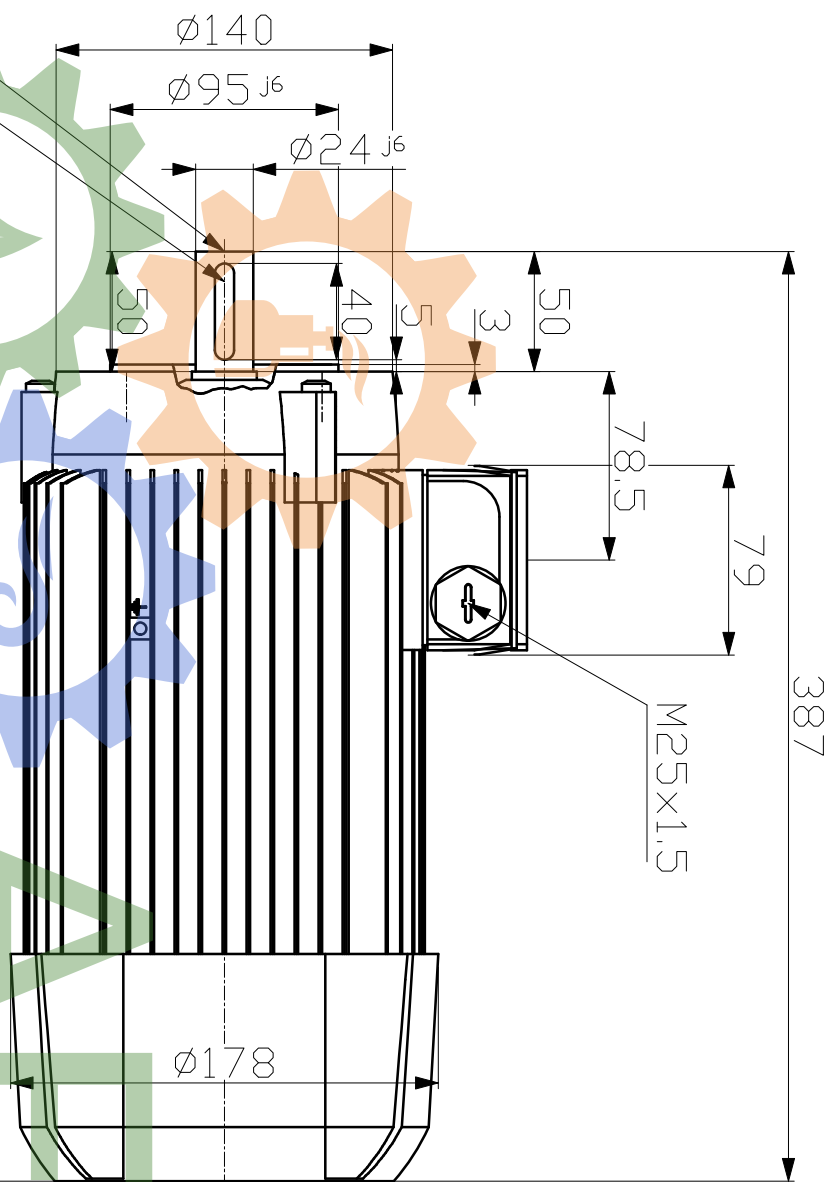
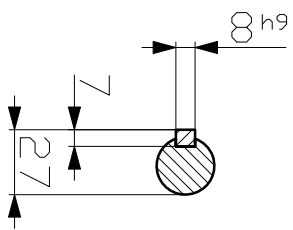


DIN 332-DR M8
 DIN 6885-1



Tolerance		Surface		Material		Weight		Scale	
1LE1003-0EC42-1KA4		Author		Dimensional drawing				mm	
		Creator 19/09/2025		IPC					
		Approval Created automatically		Maßzeichnung					
		Department IN LVM							
		Change Order							
		Doc State		Released					
		Revision AA		Index RS					
		Project No		Ref No					
		Doc No		1st Language en					
		Paper Size A3		2nd Language de					
		Sheet 1 of 1							

Technische Änderungen vorbehalten!
 Technical data are subject to change!

@Innomotics 2025

Project No

AA

Index

Released

RS

Doc No

Paper Size

A3

1st Language

en

2nd Language

de

Sheet 1 of 1

Technical data are subject to change!

Project No

AA

Index

Released

RS

Doc No

Paper Size

A3

1st Language

en

2nd Language

de

Sheet 1 of 1

Technical data are subject to change!

Project No

AA

Index

Released

RS

Doc No

Paper Size

A3

1st Language

en

2nd Language

de

Sheet 1 of 1

Technical data are subject to change!

Project No

AA

Index

Released

RS

Doc No

Paper Size

A3

1st Language

en

2nd Language

de

Sheet 1 of 1

Technical data are subject to change!

Project No

AA

Index

Released

RS

Doc No

Paper Size

A3

1st Language

en

2nd Language

de

Sheet 1 of 1

Technical data are subject to change!

Project No

AA

Index

Released

RS

Doc No

Paper Size

A3

1st Language

en

2nd Language

de

Sheet 1 of 1

Technical data are subject to change!

Project No

AA

Index

Released

RS

Doc No

Paper Size

A3

1st Language

en

2nd Language

de

Sheet 1 of 1

Technical data are subject to change!

Project No

AA

Index

Released

RS

Doc No

Paper Size

A3

1st Language

en

2nd Language

de

Sheet 1 of 1

Technical data are subject to change!

Project No

AA

Index

Released

RS

Doc No

Paper Size

A3

1st Language

en

2nd Language

de

Sheet 1 of 1

Technical data are subject to change!

Project No

AA

Index

Released

RS

Doc No

Paper Size

A3

1st Language

en

2nd Language

de

Sheet 1 of 1

Technical data are subject to change!

Project No

AA

Index

Released

RS

Doc No

Paper Size

A3

1st Language

en

2nd Language

de

Sheet 1 of 1

Technical data are subject to change!

Project No

AA

Index

Released

RS

Doc No

Paper Size

A3

1st Language

en

2nd Language

de

Sheet 1 of 1

Technical data are subject to change!

Project No

AA

Index

Released

RS

Doc No

Paper Size

A3

1st Language

en

2nd Language

de

Sheet 1 of 1

Technical data are subject to change!

Project No

AA

Index

Released

RS

Doc No

Paper Size

A3

1st Language

en

2nd Language

de

Sheet 1 of 1

Technical data are subject to change!

Project No

AA

Index

Released

RS

Doc No

Paper Size

A3

1st Language

en

2nd Language

de

Sheet 1 of 1

Technical data are subject to change!

Project No

AA

Index

Released

RS

Doc No

Paper Size

A3

1st Language

en

2nd Language

de

Sheet 1 of 1

Technical data are subject to change!

Project No

AA

Index

Released

RS

Doc No

Paper Size

A3

1st Language

en

2nd Language

de

Sheet 1 of 1

Technical data are subject to change!

Project No

AA

Index

Released

RS

Doc No

Paper Size

A3

1st Language

en

2nd Language

de

Sheet 1 of 1

Technical data are subject to change!

Project No

AA

Index

Released

RS

Doc No

Paper Size

A3

1st Language

en

2nd Language

de

Sheet 1 of 1

Technical data are subject to change!

Project No

AA

Index

Released

RS

Doc No

Paper Size

A3

1st Language

en

2nd Language

de

Sheet 1 of 1

Technical data are subject to change!

Project No

AA

Index

Released

RS