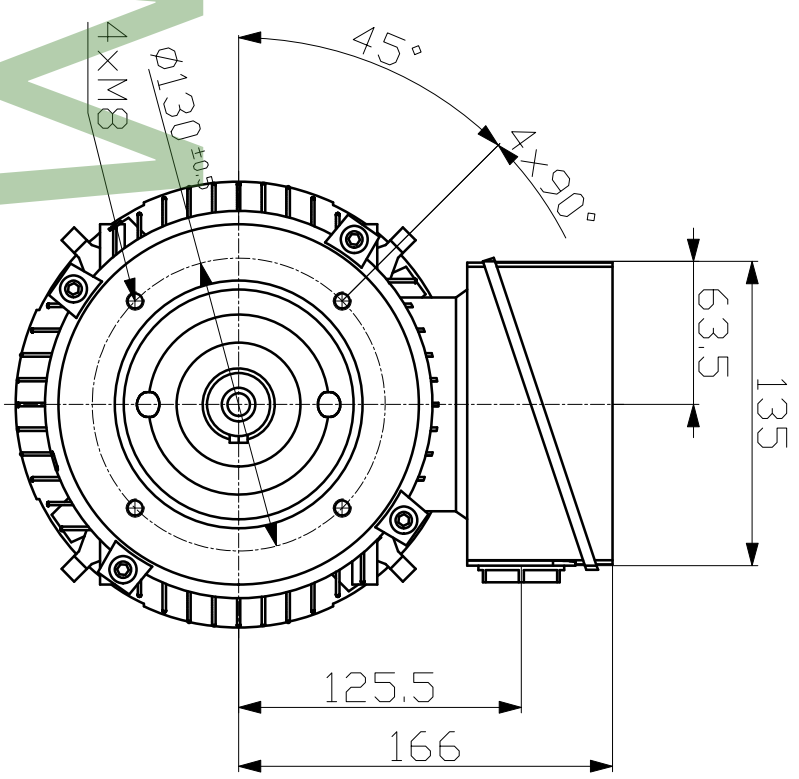
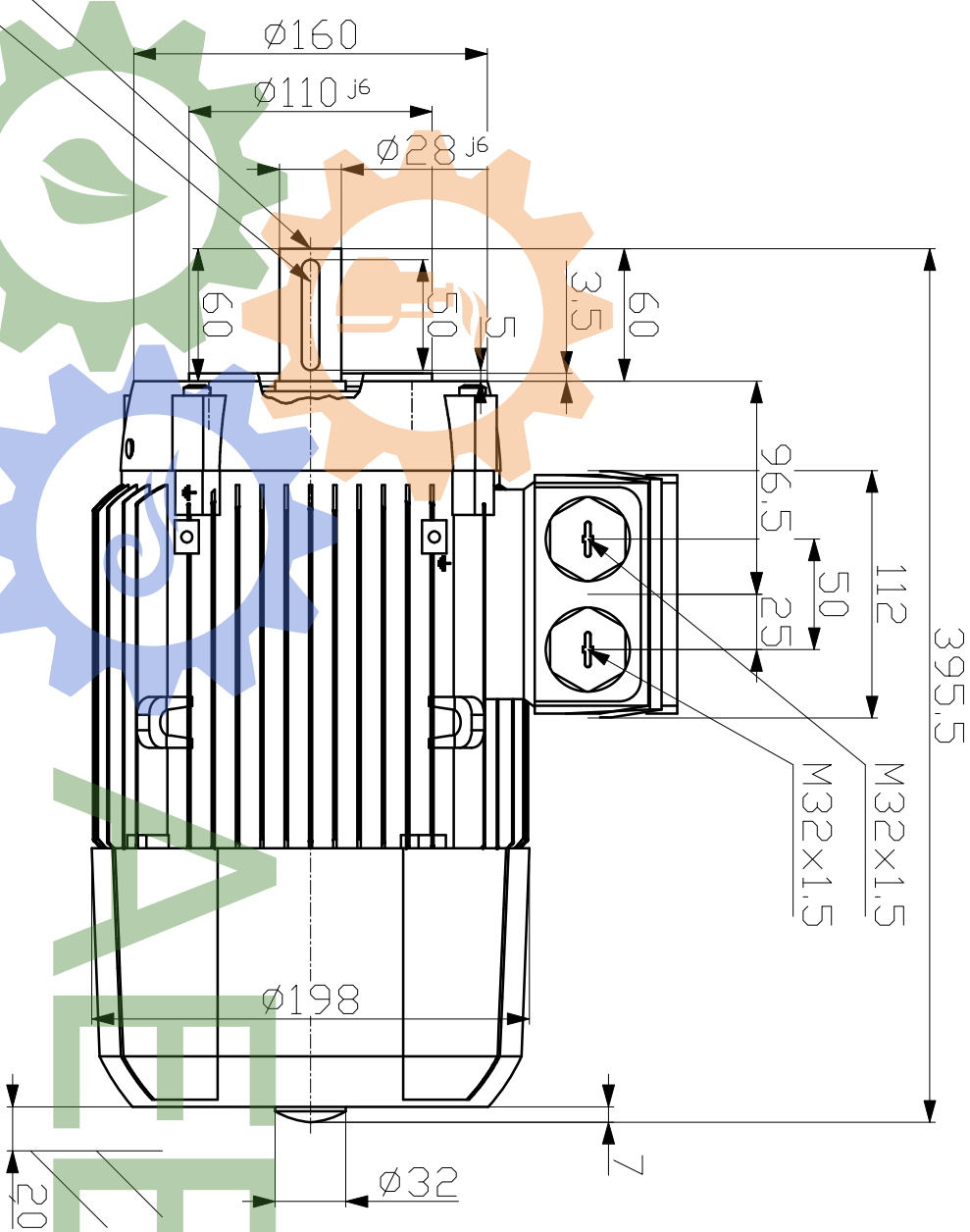
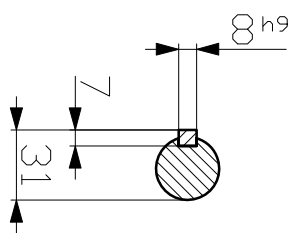


DIN 332-DR M10
 DIN 6885-1



Tolerance		Surface		Material		Weight		Scale	
1LE1003-1AC42-1KA4		1LE1003-1AC42-1KA4		Dimensional drawing Maßzeichnung				mm	
Author		IPC		Dimensional drawing Maßzeichnung					
Creator 19/09/2025		Created automatically							
Approval		IN LVM							
Department									
Change Order									
Doc State		Released							
Revision		AA							
Index		RS							
Project No		2025							
Doc No									
Item No									
Paper Size		A3							
1st Language		en							
2nd Language		de							
Sheet		1 of 1							

Technische Änderungen vorbehalten!
 Technical data are subject to change!

@Innomotics 2025

Project No

AA

Index

RS

Released

Doc No

Item No

Paper Size

1st Language

2nd Language

Sheet

1 of 1

Technical data are subject to change!

@Innomotics 2025

Project No

AA

Index

RS

Released

Doc No

Item No

Paper Size

1st Language

2nd Language

Sheet

1 of 1

Restricted