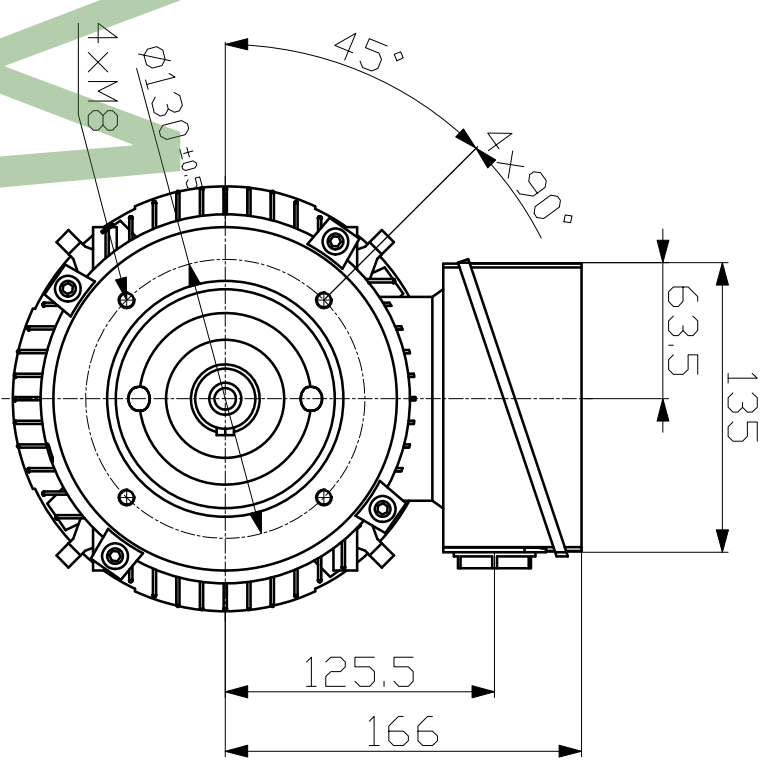
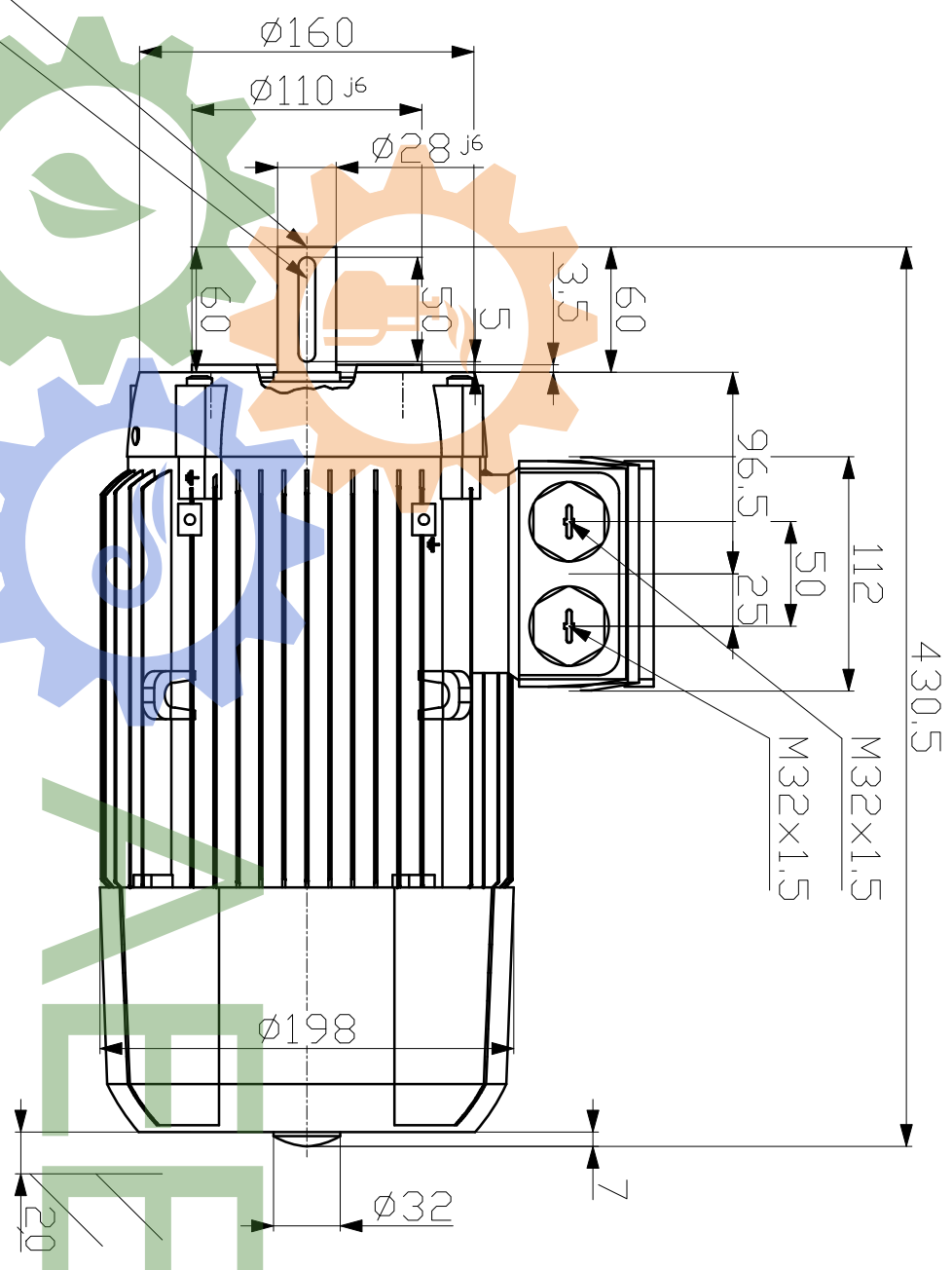
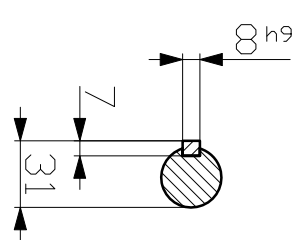


DIN 332-DR M10
 DIN 6885-1



Tolerance		Surface		Material		Weight		Scale	
1LE1003-1AD52-1KA4		Author		Dimensional drawing				mm	
		Creator 18/09/2025		IPC					
		Approval Created automatically		Maßzeichnung					
		Department IN LVM							
		Change Order							
		Doc State		Released					
		Revision AA		Index RS					
		Project No		Ref No					
		Doc No							
		Paper Size A3							
		1st Language en							
		2nd Language de							
		Sheet 1 of 1							

Technische Änderungen vorbehalten!
 Technical data are subject to change!

@Innomotics 2025

Project No

AA

Released

Doc No

Ref No

Paper Size

1st Language

2nd Language

Sheet 1 of 1

Scale

mm

Restricted