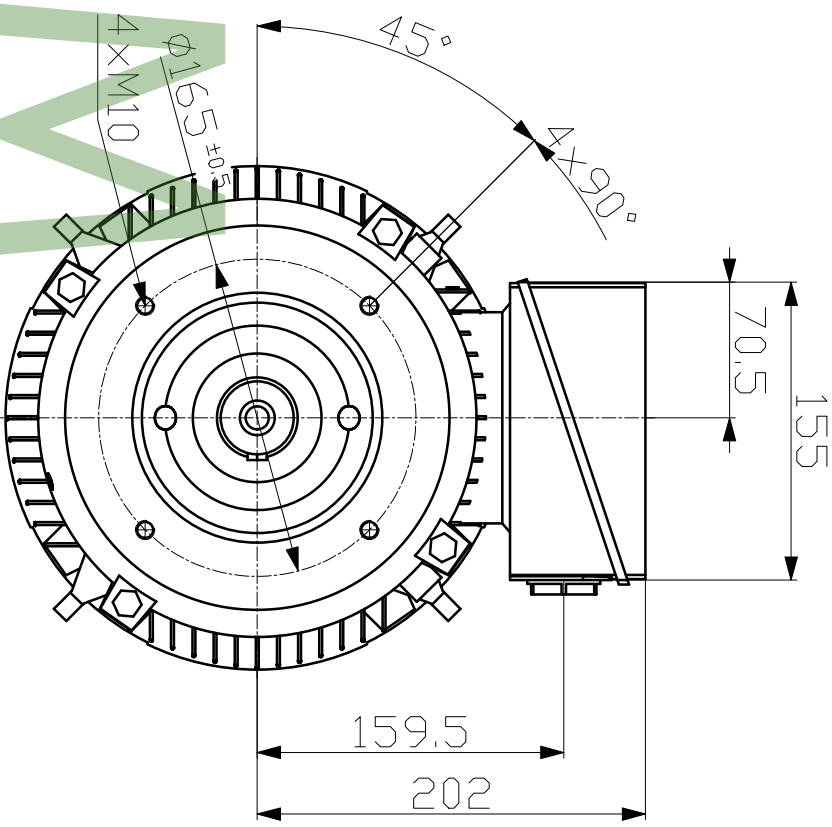
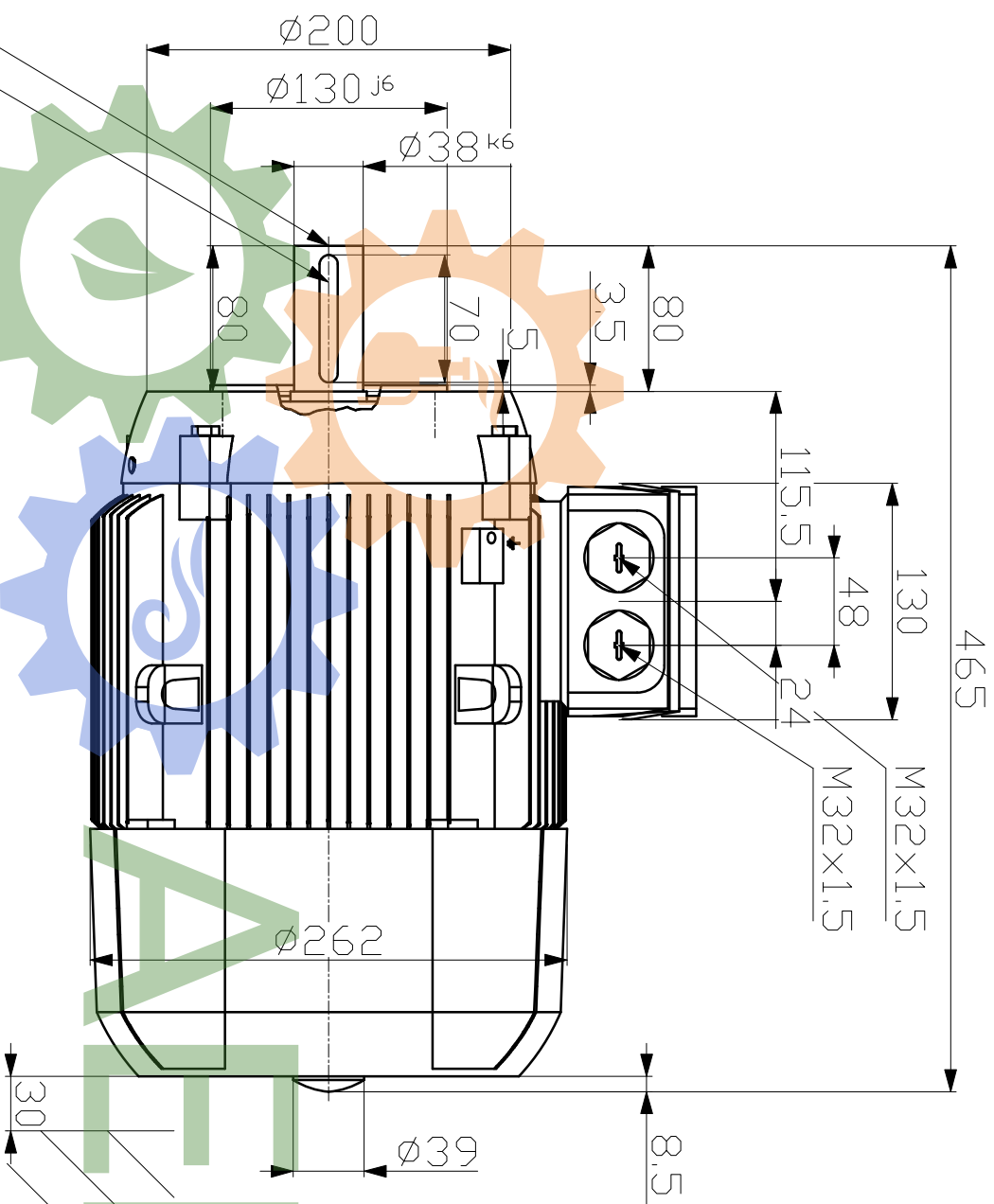
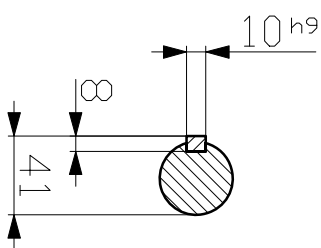


DIN 332-DR M12  
 DIN 6885-1



Tolerance	Surface	Material	Weight	Scale
1LE1003-1CA02-1KA4	Author Creator 19/09/2025 Approval Created automatically Department IN LVM Change Order Doc State Revision AA Index RS	Dimensional drawing Maßzeichnung		mm
<b>INNOBOTICS</b>	IPC	Released	Paper Size A3	1st Language en
@Innomotics 2025	Created automatically	IN LVM	Doc No	2nd Language de
Project No	Index	Item No	Doc Type	Sheet 1 of 1

Technische Änderungen vorbehalten!  
 Technical data are subject to change!

1 2 3 4 5 6 7 8  
 A B C D E F

Restricted