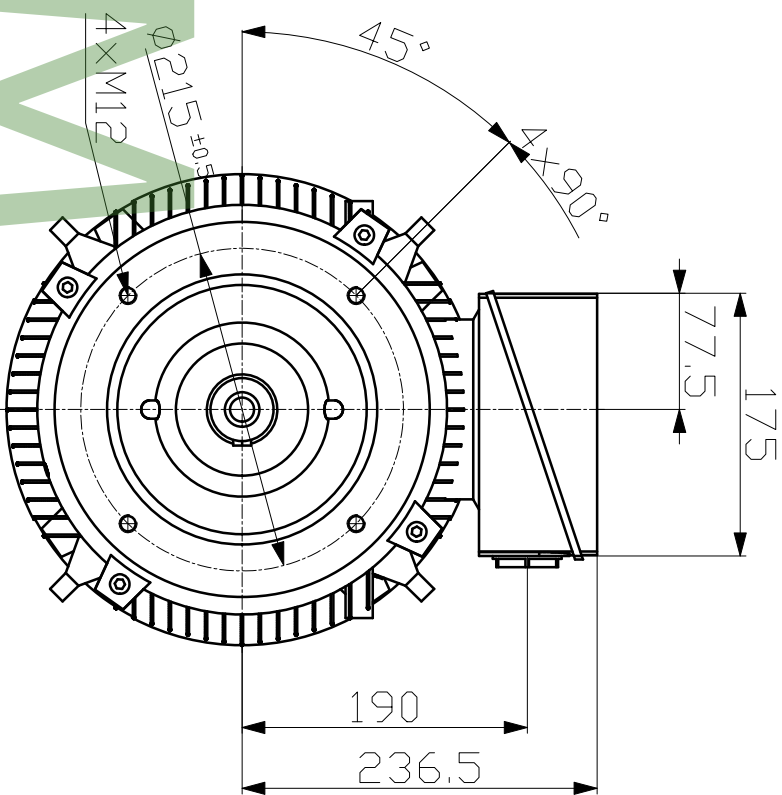
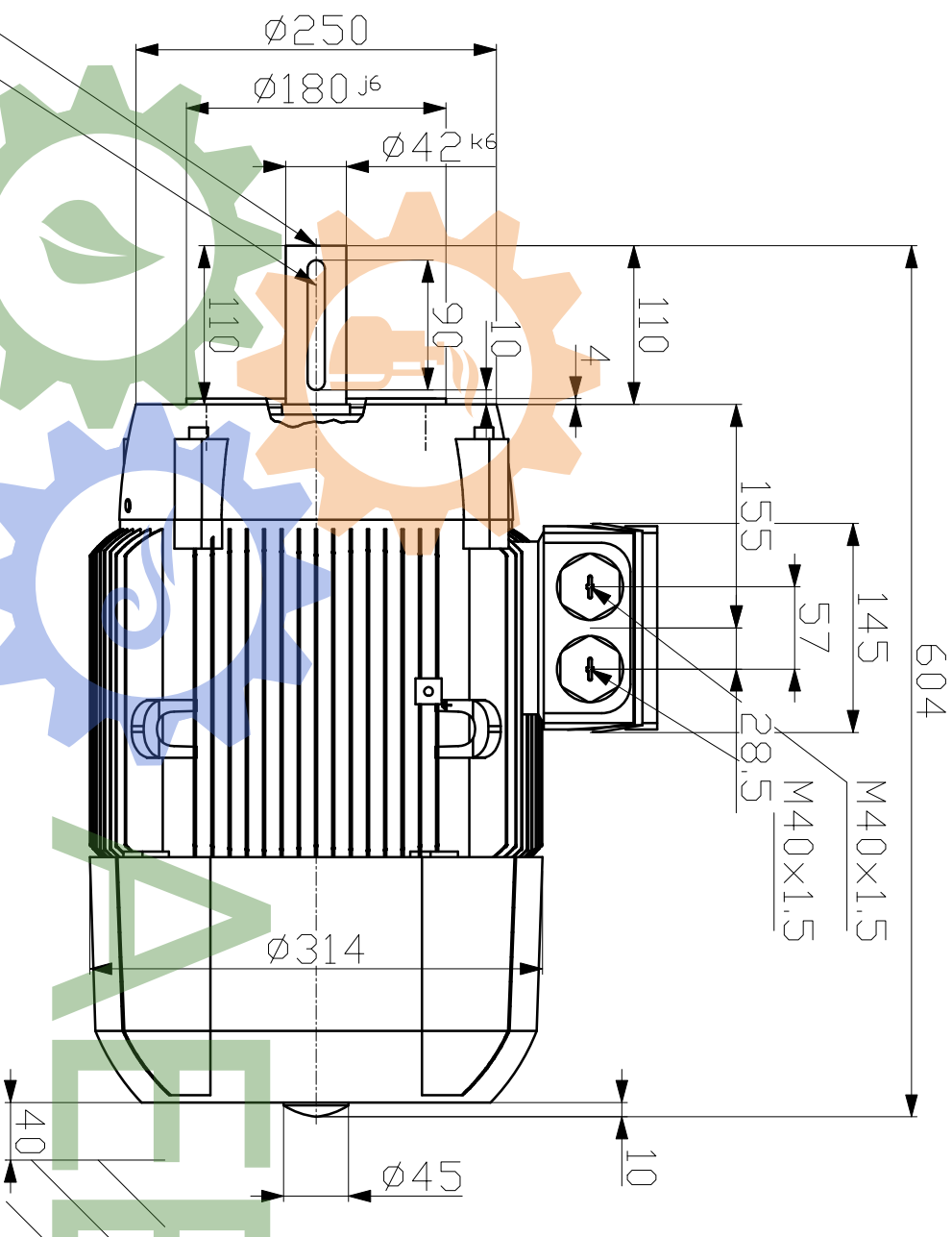
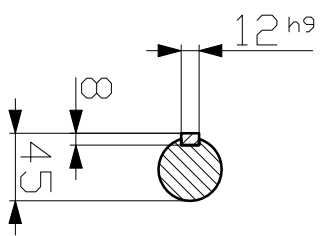


DIN 332-DR M16
 DIN 6885-1



Tolerance		Surface		Material		Weight		Scale	
1LE1003-1DA22-1KA4		Author		Dimensional drawing				mm	
		Creator: 22/09/2025		IPC					
		Approval: Created automatically		Maßzeichnung					
		Department: IN LVM							
		Change Order							
		Doc State		Released		Item No		Paper Size: A3	
		Revision: AA		Index: RS		Doc No		1st Language: en	
		Project No		Ref No				2nd Language: de	
		2025						Sheet 1 of 1	

Technische Änderungen vorbehalten!
 Technical data are subject to change!

