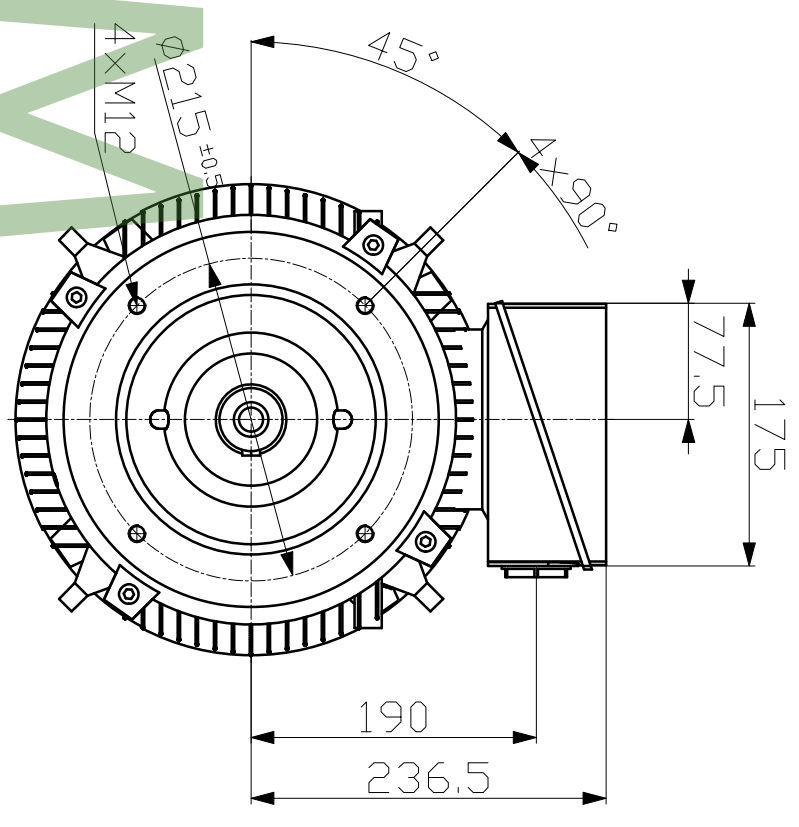
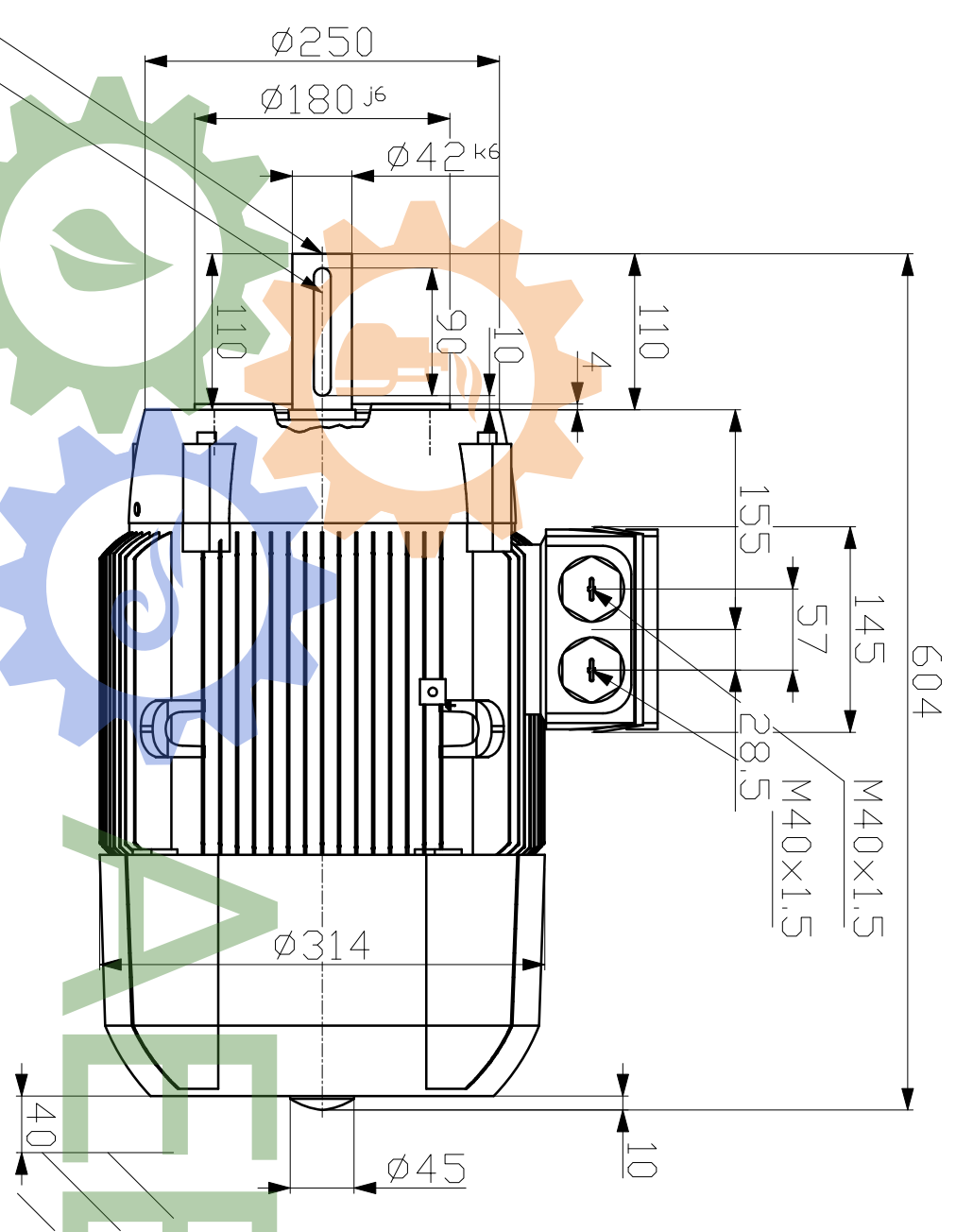
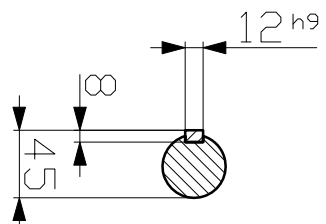


DIN 332-DR M16
 DIN 6885-1



Tolerance		Surface		Material		Scale	
1LE1003-1DA32-1KA4		Author		Dimensional drawing		mm	
IPC		Created 22/09/2025		Maßzeichnung			
Created automatically		Approval					
IN LVM		Department					
Change Order		Doc State		Released		Paper Size A3	
AA		Index		RS		1st Language en	
Project No		Item No		Doc No		2nd Language de	
2025		Ref No		1		Sheet 1 of 1	

Technische Änderungen vorbehalten!
 Technical data are subject to change!

