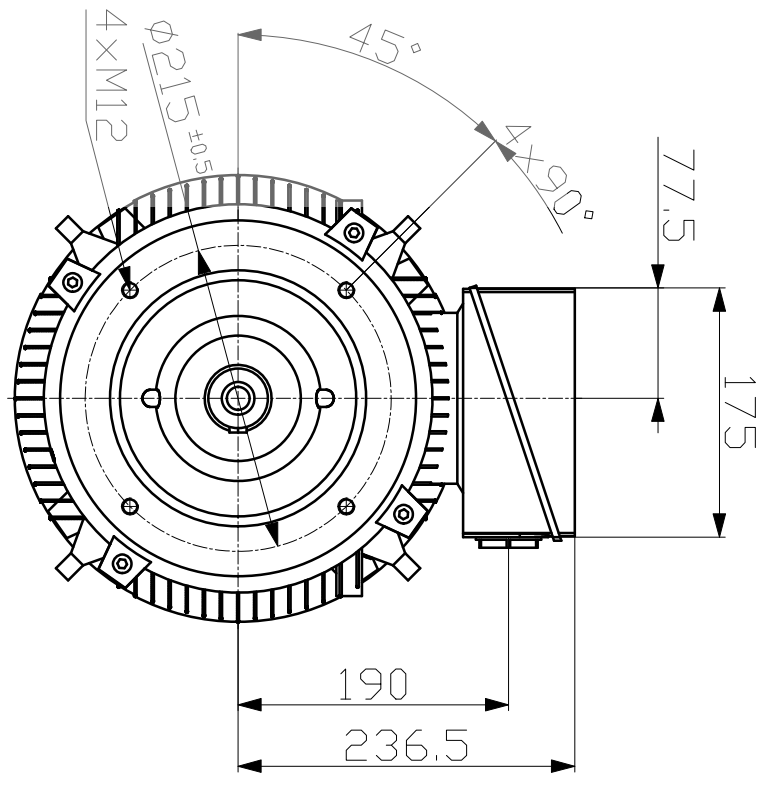
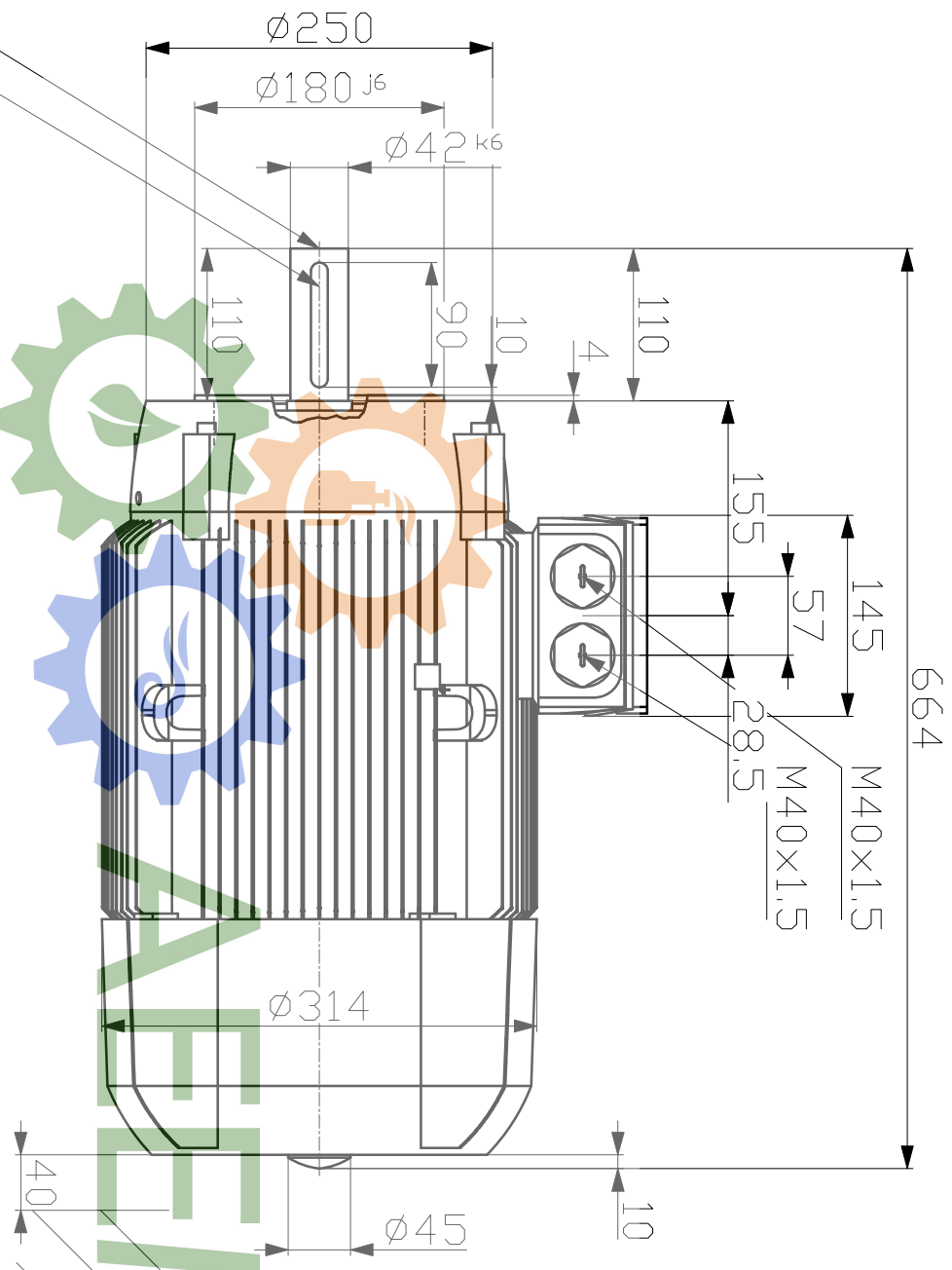
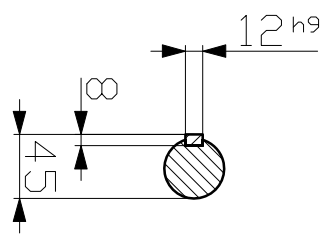


DIN 332-DR M16
DIN 6885-1



Tolerance	Surface	Material	Scale
1LE1003-1DA43-4KA4	Author Creator 14/01/2026 Approval Created automatically Department IN LVM Change Order Doc State Revision AA Index RS	Dimensional drawing Maßzeichnung M1FB Item No Doc No Ref No	mm
INNOMOTICS	IPC	Released	Paper Size A3 1st Language en 2nd Language de
@Innomotics 2025	Project No	Ref No	Sheet 1 of 1

Technische Änderungen vorbehalten!
Technical data are subject to change!

