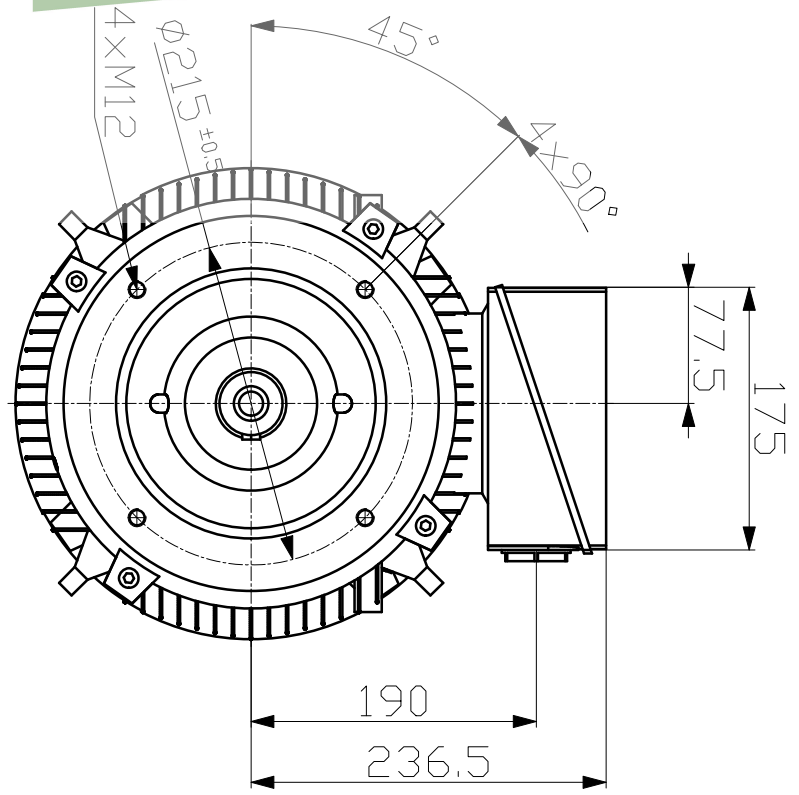
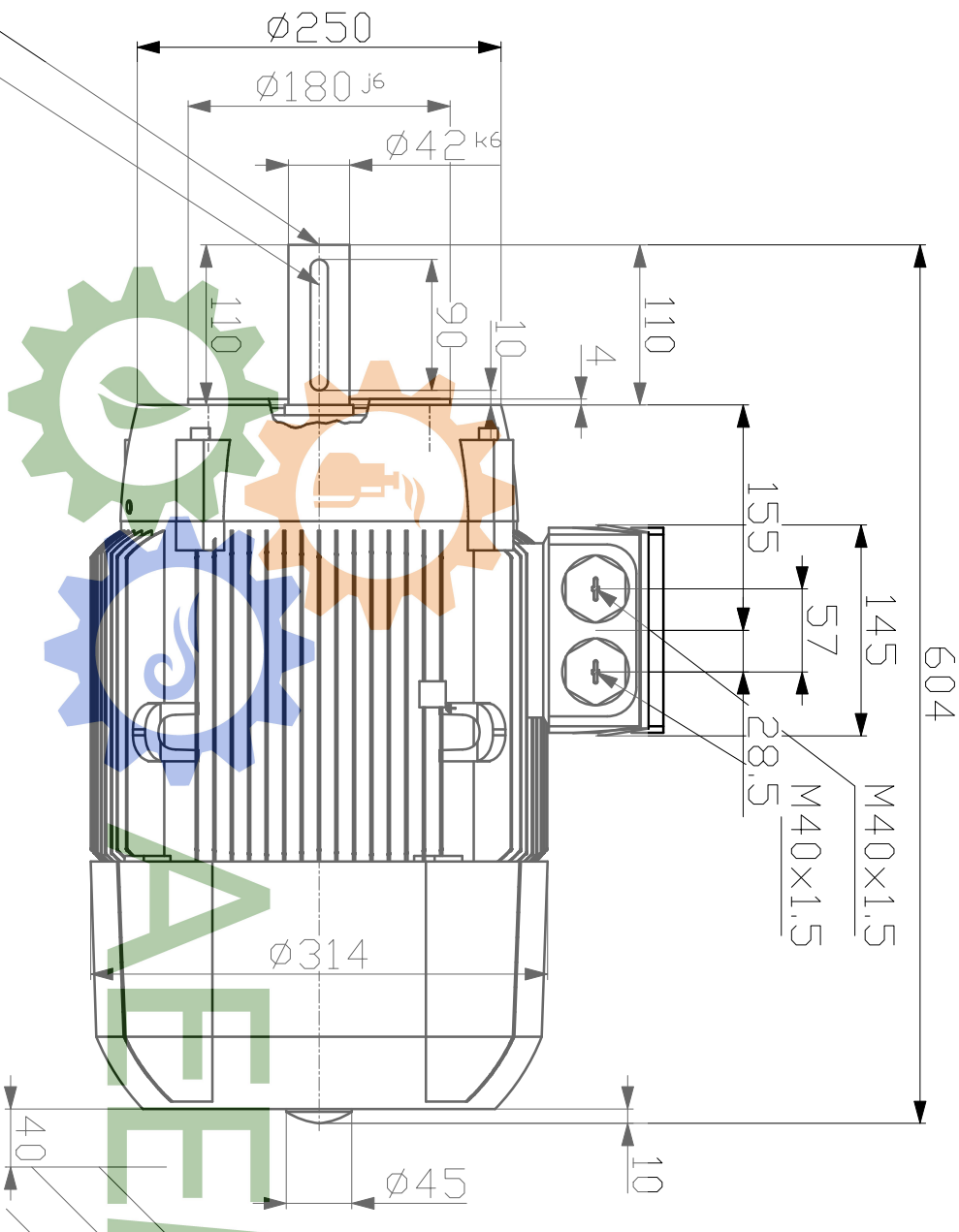
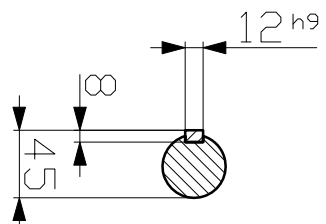


DIN 332-DR M16
 DIN 6885-1



Tolerance	Surface	Material	Weight	Scale
1LE1003-1DD33-4KA4	Author Creator 13/01/2026 Approval Created automatically Department IN LVM Change Order Doc State Revision AA Index RS	Dimensional drawing Maßzeichnung		mm
INNOBOTICS	IPC	Released	Paper Size A3	1st Language en
@Innomotics 2025	Project No	Ref No	2nd Language de	Sheet 1 of 1

Technische Änderungen vorbehalten!
 Technical data are subject to change!

