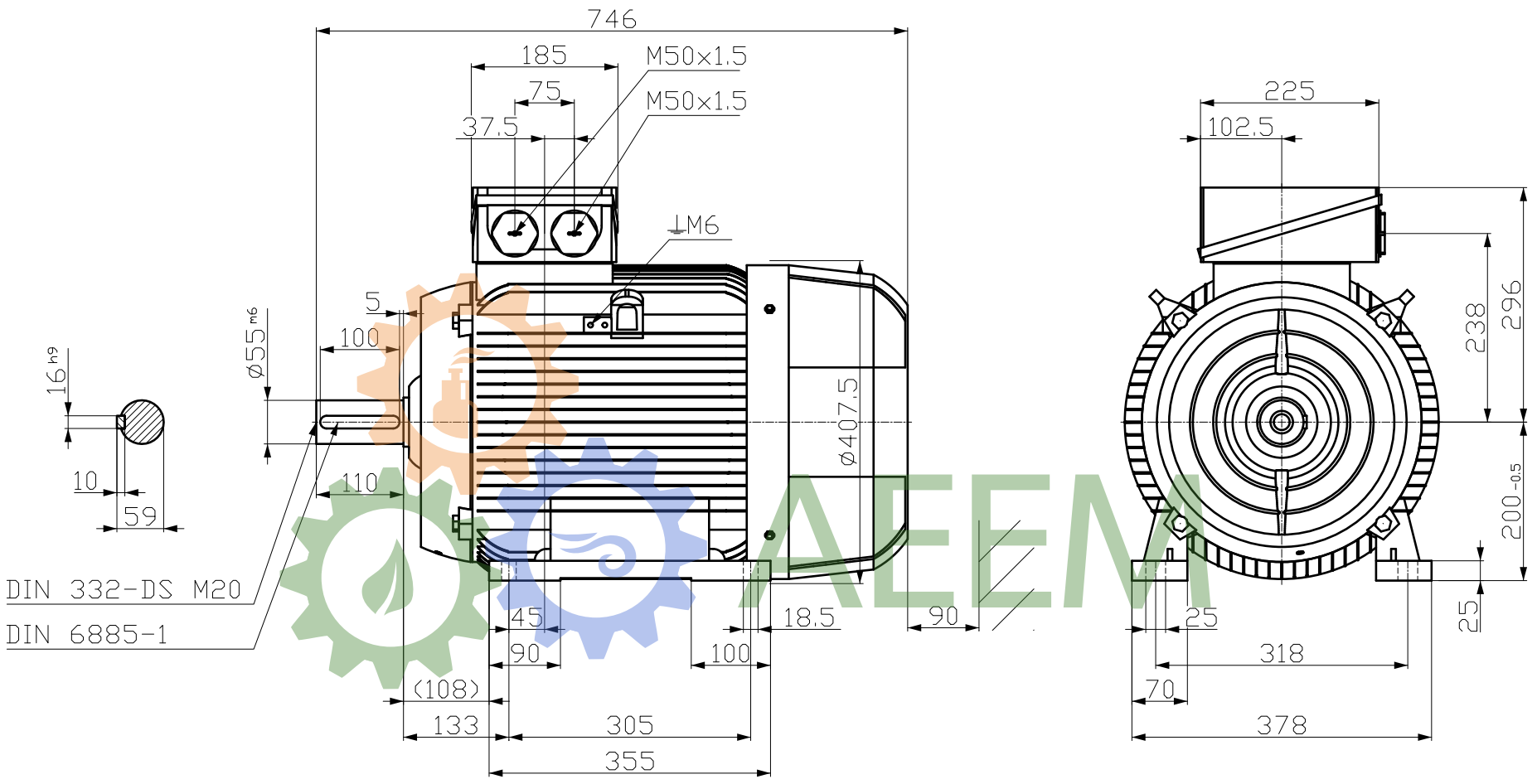


刀线管
 用文全
 图
 积
 01
 02
 03
 04
 05
 06
 07
 08
 09
 10
 11
 12
 13
 14
 15
 16
 17
 18
 19
 20
 21
 22
 23
 24
 25
 26
 27
 28
 29
 30
 31
 32
 33
 34
 35
 36
 37
 38
 39
 40
 41
 42
 43
 44
 45
 46
 47
 48
 49
 50
 51
 52
 53
 54
 55
 56
 57
 58
 59
 60
 61
 62
 63
 64
 65
 66
 67
 68
 69
 70
 71
 72
 73
 74
 75
 76
 77
 78
 79
 80
 81
 82
 83
 84
 85
 86
 87
 88
 89
 90
 91
 92
 93
 94
 95
 96
 97
 98
 99
 100



Tolerance	Surface	Material	Weight	Scale
F50FE E001 E0E	Author Creator: HEBE EDEG UÜÜ	Öä ^)•ä }ä/ä:ä ä *	E	{ {
	Approval: Ö!^ä:ä/ä q { ää/ä/ä	T ä: ^ä@ } *		
	Department: Ö/ÄXT			
	Change Order	MLFB		Doc Type
	Doc. State: Ü^/ä:ä	Item No		Paper Size: ÖH
	Revision: ÖE Index RS	Doc No		1st Language: ^)
				2nd Language: ä^
©Innomotics 2025	Project No: E	Ref No: E		Sheet F of F

V&@ä&@A)äV:*)A[ä@ä)Ä
 V&@ä&@ä&A)äb&@Ä&@**Ä